

DIAMOND W

Designed by Mads Odgaard 2008

LIGHT
YEARS



Diamond W

Diamond wall needs no maintenance at any time during the lifetime of the lamp. The light diodes burn for 50,000 hours which, with a normal utility pattern, gives Diamond a life span of 15 to 20 years. Diamond is an IP 65 wall luminaire which utilizes all the best properties of the LED light source. Diamond is built up around equilateral aluminium cross mounted on a square frame which is also made of aluminium. In each of the four squares formed by the cross is a 1,1 W light diode behind a diffuser of shock-resistant polycarbonate. A built-in lattice directs the light downwards and thus ensures pleasant lighting with a minimum of glare. Diamond is a long-life lamp in every way. Both by virtue of its exceptionally low energy consumption of only 8.7 W, but also because of its simple and compact form which allows the lamp to fit in everywhere without taking up more room or focus than absolutely necessary. Diamond does not require an external driver. All components are fitted into a circuit-board as well as the 4 LEDs, which ensures the elegant and compact design.

Surface

Grey powder lacquer (RAL 9006).

Material

Armature housing: Die-cast aluminium. Shade: Impact-resistant polycarbonate. Lattice: White dyed throughout plastic.

Installation

Terminal block: 1x 4 x 2,5 mm². Terminal block positioning: Directly at the circuit board. Transformer: Directly at the circuit board. Cable entries: 2 rear (ø 4,5-16 mm) and 2 bottom entries. Cable inflow: M16 IP68 Cable Gland for ø 4,5-10 mm rubber cable. Approved for looping. Max. installation cable: 1 or 2 pieces 3 x 2,5 mm². The use of installation pipe for all visible installations is recommended.

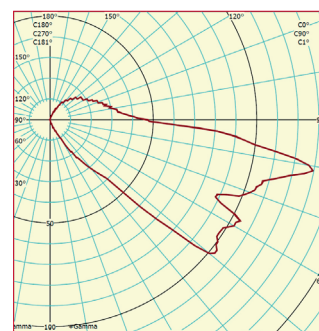
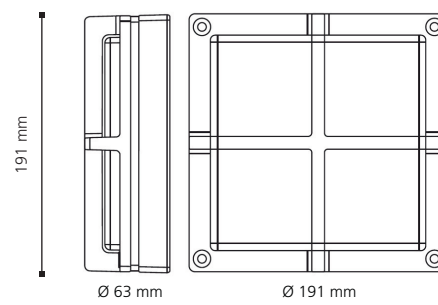
Class

IP65, ∇ , Class of insulation II, Vandal-proof: Class II.

Product family



Wall



Product code	EAN no.	Surface	Light source	Total weight
10083005	5702370830052	Grey powder lacquer (RAL 9006)	LED: 4 x Philips Luxeon Rebel 1,1 W Neutral White (400mA), 90-265 VAC 48-64 Hz.	1,5 kg

DIAMOND W

Designed by Mads Odgaard 2008

LIGHT
YEARS

