

ARIETTE 1

Mounting	: Ceiling and wall
Lamps description	: 4 x MAX 40W E27 IAA/W
Environment	: Indoor
Technical description	:

ELECTRICAL

Emergency	: Without
Voltage (V)	: 220/240

PHYSICAL

Shape	: Square
Supply	: Terminal block
Construction material	: Fabric or Polyamide
Weight (kg)	: 0,8



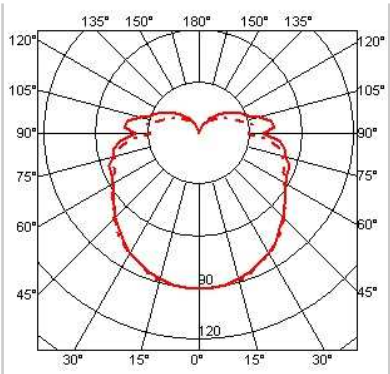
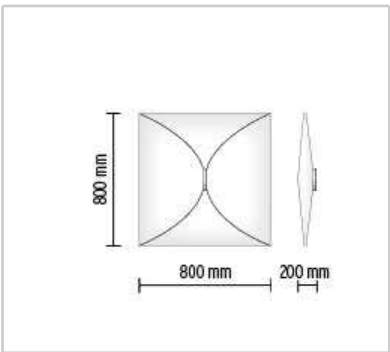
Ariette 1
design by Tobia Scarpa

Wall or ceiling-mounted lamp
providing diffused light

Reference Code

F0400009

Certifications



ARIETTE 2

Mounting	: Ceiling and wall
Lamps description	: 4 x MAX 40W E27 IAA/W
Environment	: Indoor
Technical description	:

ELECTRICAL

Emergency	: Without
Voltage (V)	: 230

PHYSICAL

Shape	: Square
Supply	: Terminal block
Construction material	: Fabric or Plastic
Weight (kg)	: 1



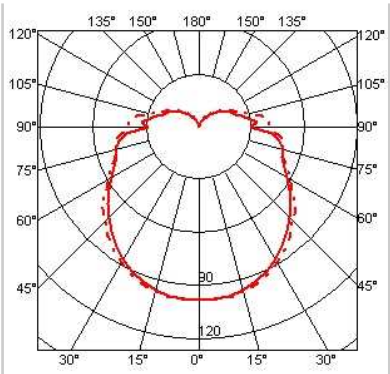
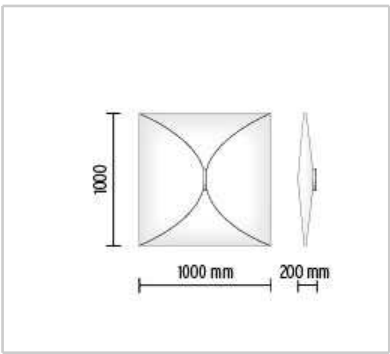
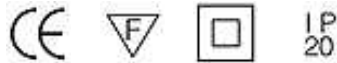
Ariette 2
design by Tobia Scarpa

Wall or ceiling-mounted lamp providing diffused light

Reference Code

F0500009

Certifications



ARIETTE 3

Mounting	: Ceiling and wall
Lamps description	: 4 x MAX 40W E27 IAA/W
Environment	: Indoor
Technical description	:

ELECTRICAL

Emergency	: Without
Voltage (V)	: 220/240

PHYSICAL

Shape	: Square
Supply	: Terminal block
Construction material	: Fabric or Polyamide
Weight (kg)	: 1,1



Ariette 3
design by Tobia Scarpa

Wall or ceiling-mounted lamp
providing diffused light

Reference Code

F0600009

Certifications

